



Technical Service Bulletin

Squeak or rattle noise in front door area or front sunroof area

50 07 01 Feb. 6, 2007, 2014189/1

Model(s)	Year	VIN Range	Vehicle-Specific Equipment
A6	2007	All	Not Applicable

Condition

Squeaking or rattling noises from area around either front door or in front sunroof area near the sunroof drains.

Technical Background

Improperly fitted foam insulation (end plate) in front fenders.

Production Solution

Not applicable.

Service

Test drive the vehicle to locate which side is causing the noise. Once the noise is verified and located, continue as follows:

Technical Service Bulletin

As outlined in *ELSA Repair Manual* for front fender assembly overview:

1. Remove front wheel.
2. Remove wheel housing liner.
3. When working on the left side of the vehicle, remove the windshield washer fluid container.
4. Unscrew bolts (Figure 1, Point 2) from expanding clip (Figure 1, Point 3).
5. Remove end plate.



Tip: Tightening torque for bolts (Figure 1, Point 2) is 1.5 Nm.

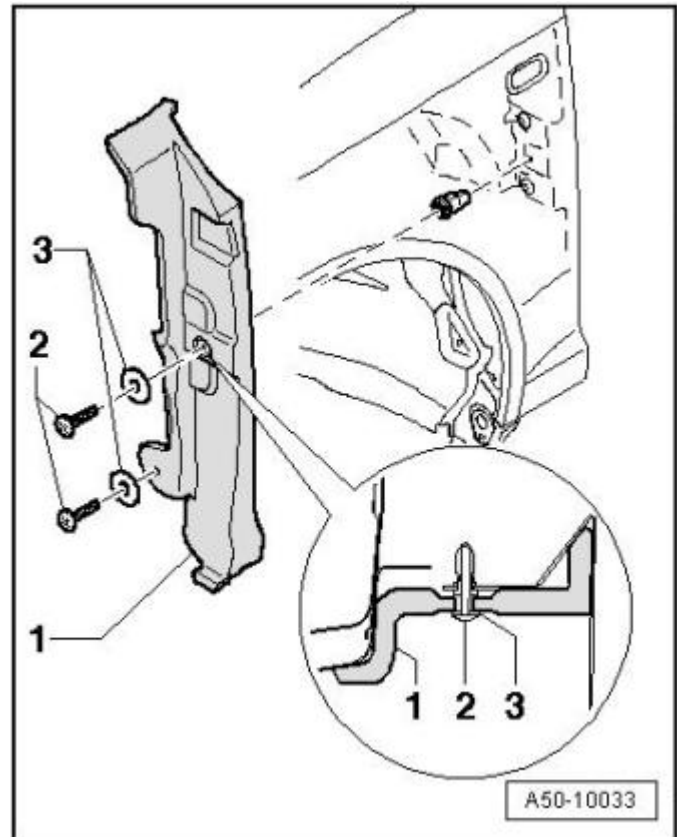


Figure 1: The front fender. Refer to *ELSA repair manual* for front fender assemble overview.

6. Install cloth tape on the entire surface on side A shown in Figure 2.
7. Reinstall the end plate into the fender in reverse order.
8. Test drive vehicle to verify proper repair.

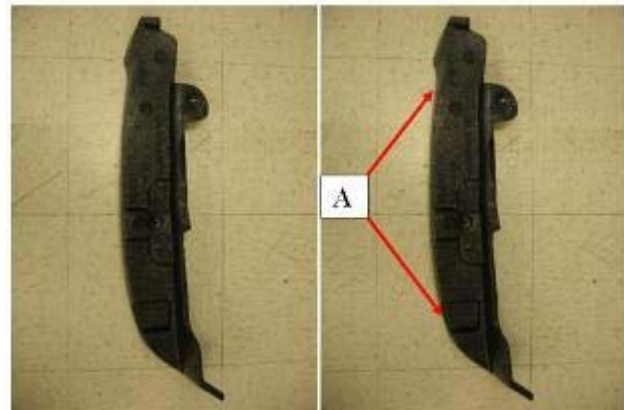


Figure 2: The end plate. Cloth tape should be installed on the entire surface of side A.

Warranty



Technical Service Bulletin

When procedure applies to vehicles within the New Vehicle Limited Warranty, use the following:			
Claim Type:	W2		
Part Identifier:	50 55		
Damage Code:	50 55 20 002 1		
Labor Operations:	66 16 19 00	Front wheel mousing liner remove and install (<i>right side</i>)	50 TU
	66 16 19 99	Remove and reinstall fender end cap and install textile tape (<i>right side</i>)	20 TU
	92 60 19 00	Remove and reinstall washer fluid container (<i>left side</i>)	160 TU
	66 16 19 99	Remove and reinstall fender end cap and install textile tape (<i>left side</i>)	20 TU
Diagnostic Time:	Diagnostic time reimbursement follows guidelines printed in Section 2.2 of the <i>Audi Warranty Policies and Procedures Manual</i>		
Claim Comment:	As per TSB # 2014189/1		
All warranty claims submitted for payment must be in accordance with the <i>Audi Warranty Policies and Procedures Manual</i> . Claims are subject to review or audit by Audi Warranty.			

Required Parts and Tools

Part Number	Part Description	Quantity
Locally Obtained	Cloth Tape	1

All parts and service references provided in this TSB are subject to change and/or removal. Always check with your Parts Department and service manuals for the latest information.